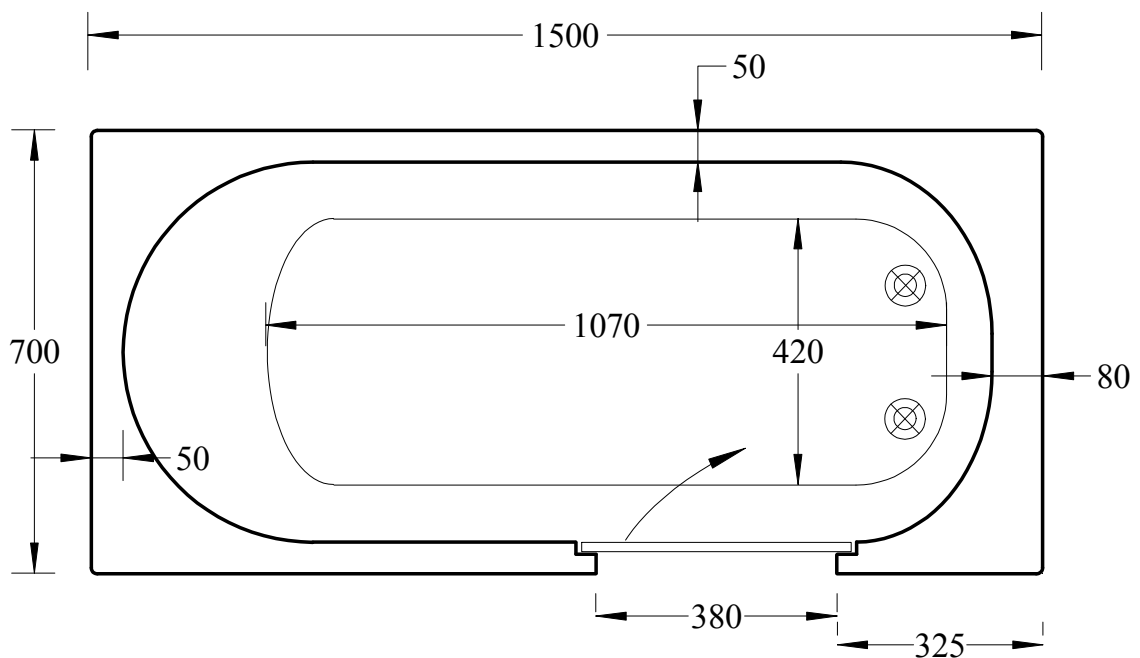
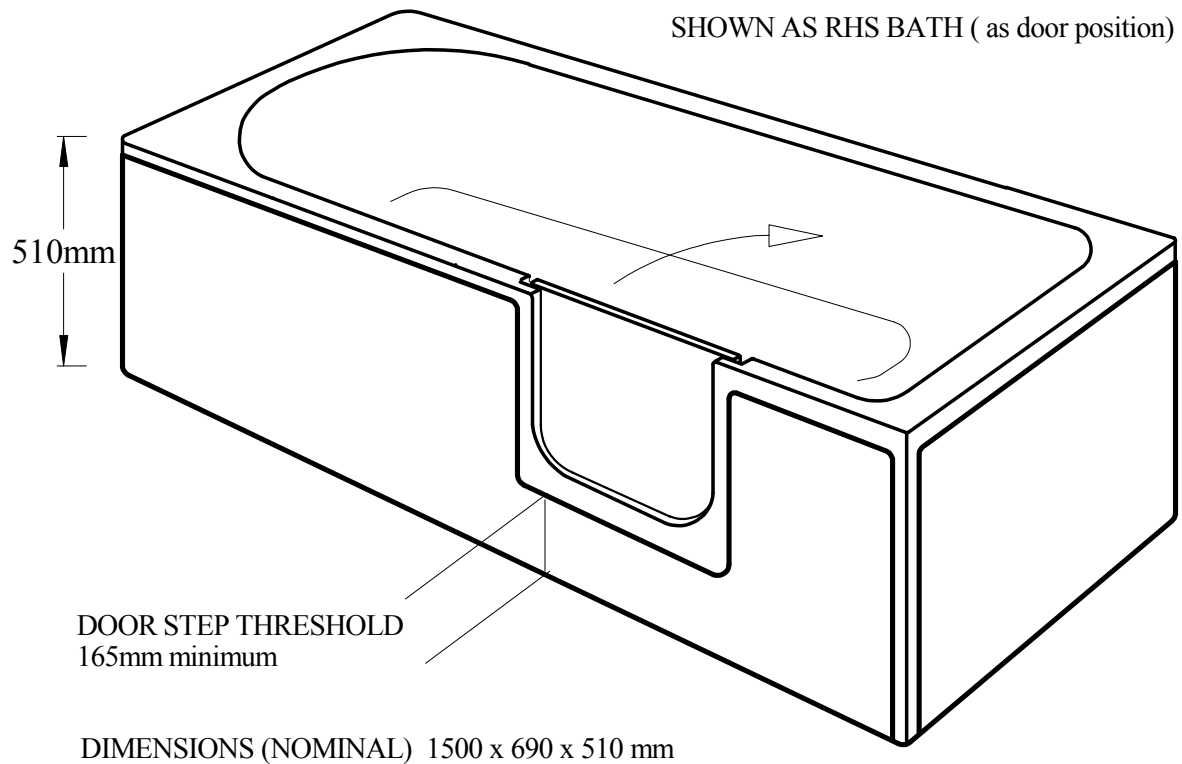


ABALONE 1500



WATER CAPACITY UNOCCUPIED - 167 LITRES

INTERNAL DEPTH - 395mm

SLIP RESISTANT ENTRY

TWIN WASTES

LHS AND RHS DOOR OPTIONS