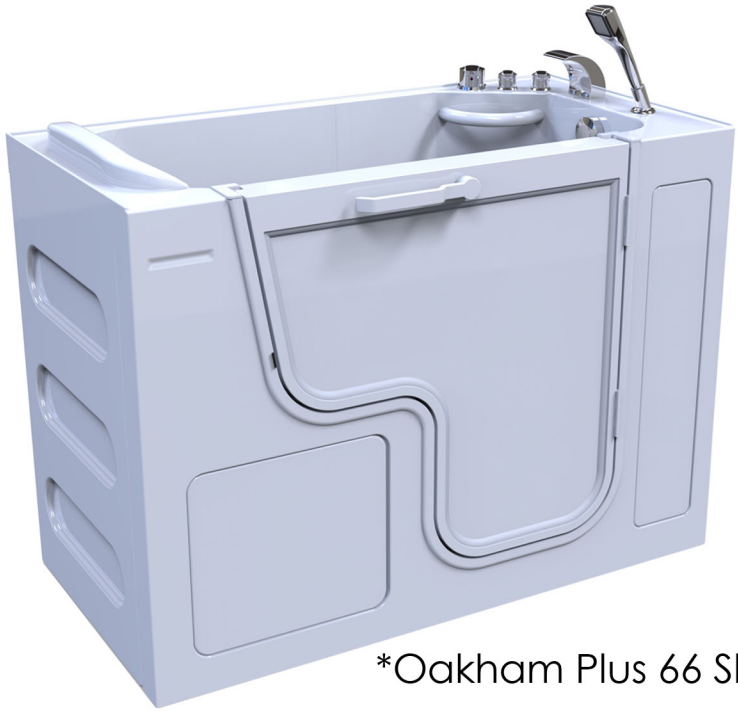


Walk-In Bathtub Owner's Manual With Installation Instructions



*Oakham Plus 66 Shown

OAKHAM

IMPORTANT: Read this manual before installing this product. There is important product safety information in this manual, so please be sure to read it thoroughly.

- Before ordering or installing, consider future access to essential equipment.
- In an effort to continually improve our product, specifications and configurations are subject to change without notice.

Important Notice

1. Upon arrival of your walk-in bath, please remove the packaging and check for faults.
2. All plus and special models must be water tested outside property with all electronic functions checked.
3. If it is not possible to check outside please contact dealer to confirm alternative arrangements.
4. Only the frame and shell should be handled to support and move the bath.
5. Retailer cannot be responsible for defects caused during installation.
6. Before sealing in the bath check all water functions and electrical functions again.
7. Allow ample access for the bath to be serviced/pulled out to be serviced.

Purchase Date: _____

Model Number: _____

Serial Number: _____

Dealer Name: _____

Dealer Phone: _____

Notes: _____

Limited Warranty

Coverage

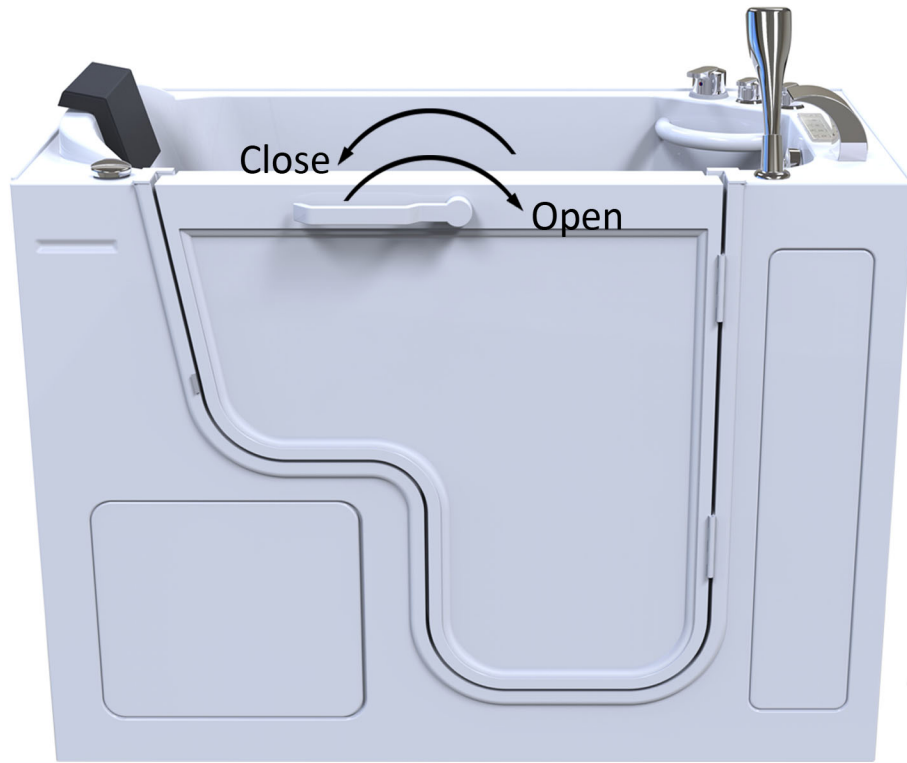
The Limited Warranty covers the frame, shell, door and components for 1 year, a 10 year warranty on the door seal from the time of original purchase from an authorised dealer by the original buyer. If, during, this period a covered component fails, Oasis Hydrotherapy Systems Ltd will provide a replacement part to the owner through an authorized dealer. Shipping charges and all other incidental costs are not included. Oasis Hydrotherapy Systems Ltd will not pay labour costs involved in diagnostic, removal, repair, service or replacement of the parts. All warranty claims must be coordinated through and authorised dealer.

Limitations

The Limited Warranty does not cover defects, damage or failure caused by the shipment, delivery, installation or user, including and not limited too: Modification of any type for any reason, electrical or water connections not specified by the installation and specifications included with the unit, improper installation, unreasonable operation, accident, neglect, lack of proper routine maintenance, or acts of god, including, earthquakes, floods, lightning, etc. The finish's warranty does not apply to fading, cracking, delaminating or blistering due to excessive wear, sun fading or souring due to cleaning.

Parts

When warranty parts are required, contact your authorised dealer. Be prepared to supply proof of purchase.



For everyday cleaning, a soft cloth with mild soap and water is all you need. Always rinse after cleaning. DO NOT use scouring pads or abrasive/caustic cleansers.

Vinegar and water may also be used to soften water minerals. To disinfect, use bleach diluted with water to sanitize.

Water Jetted Tubs

Regularly disinfect to ensure water jetting system stays clean.

Safe Use Of Your Air Massage Bathtub

Your physiological response to a hot massage bath depends on your age, health and medical history. If you develop a headache or become dizzy or nauseous, get out at once and cool off under the shower. Get medical help if the symptoms persist.

Consult your doctor before you use the massage bath for physical therapy of an injury or disorder. Do not take a massage bath without your doctor's consent if you are ill, pregnant or if you suffer from high blood pressure, heart disease or other health problems. Never take a massage bath while under the influence of medication, drugs or alcohol.

Caution: Children or incapacitated people should not use the massage bath unattended. Your bath water temperature should not exceed 40 °C(104° F).

After having cleaned the tub from all installation debris and dirt, fill the water at normal bathing water level ie. maximum 2" below the overflow when bather is sitting in the tub. Never fill the tub with water above the overflow level.

Warning

- **DO NOT OPEN DOOR WHEN TUB IS FILLED WITH WATER.**
- USE CARE WHEN ENTERING AND EXITING THE TUB.
- DO NOT USE THE TUB UNDER THE INFLUENCE OF DRUGS OR ALCOHOL.
- SMALL CHILDREN SHOULD NOT USE TUB WITHOUT ADULT SUPERVISION.
- DISABLED PEOPLE SHOULD NOT USE TUB WITHOUT PROPER SUPERVISION
- TUB MAY BE SLIPPERY WHEN WET. USE CARE.

Persons suffering from heart disease, diabetes, high or low blood pressure, and pregnant women should check with their physician before using this product. Do not use this product if you have consumed alcohol or drugs. When using this product, basic precautions should always be followed, including but not limited to:

REQUIREMENTS:

- This product should be installed by a qualified installation technician following the required local plumbing and electrical laws and regulations.
- Electrical wiring should be completed by a licensed electrician.
- The temperature of hot water supplied to the product should stay under 48°C (118°F).
- Adjust the setting to the desired water temperature before using various functions.
- Turn off the power supply and close the cold/hot water supply valve after using the product.
- If any abnormal performance occurs, contact the local sales agent or service center.
- To prevent the risk of injury, do not permit children or disabled individuals to use this product without supervision.
- Use this product only for its intended use as described in this manual.
- Do not use attachments or accessories not recommended or provided by the manufacturer
- Never drop or insert any object into any opening.
- The unit must be properly connected to a ground fault circuit interrupter (GFCI).
- Improper installation, adjustments, alterations, service or maintenance could cause personal injury or property damage and will void the warranty.

Before Starting

Read each step carefully.

It is very important that each step is performed in the correct order.

Verify that all parts are included.

Work in a spacious area near the location where the unit will be installed.

Do not use power tools to assemble unit. Only use power tools for drilling holes.

Facts

After receiving the product, check the contents for damage. If you find contents to be damaged or have missing parts, notify your supplier.

Two people may be required for installation.

Any damage or fault arising from self-installation is not covered by warranty.

This product is designed for indoor use only.

Due to ongoing commitment to quality, all specifications, ratings and dimensions are subject to change without notice.

Requirements:

This product should be installed by a qualified installation technician following the required local plumbing and electrical laws and regulations.

Electrical wiring should be completed by a licensed electrician.

The temperature of hot water supplied to the product should stay under 48°C(118°F)

Manufacturer DECLINES ANY LIABILITY IF :

Electrical and plumbing code requirements are not followed.

Installation, Safety, and Maintenance Instructions in this manual are not followed.

Unauthorized modifications are made to the product or any components.

Slight changes or differences may exist between the indicated dimensions in the drawings and pictures and the actual dimensions or product. Should an outdated or incorrect drawing or picture be used, we will not be held liable.

Installation

ELECTRICAL: Electrical wiring should be completed by a licensed electrician.

WARNING: Refer to Section 680 of National Electrical Code. When using electrical products, basic precautions should always be followed, including the following:

1. **DANGER: RISK OF ELECTRIC SHOCK.** Connect only to a circuit protected by a **ground-fault circuit-interrupter**.
2. Grounding is required. The unit should be installed by a qualified installation technician.
3. Building materials and wiring should be routed away from the pump body or other heat-producing components of the unit.

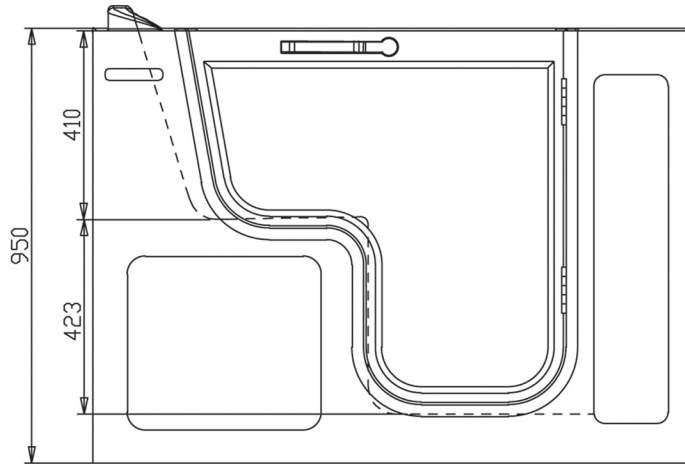
ELECTRICAL SPECS



	MICRO BUBBLES	WATER PUMP	SEAT WARMER	CHROMA	TOTAL AMPS REQUIRED
AMPS	5.5	3.5	0.38	0.1	9.5
HP	1-3/4	1-1/4			3
PHASE	1	1			1
VOLTS	240	240	24	12	240

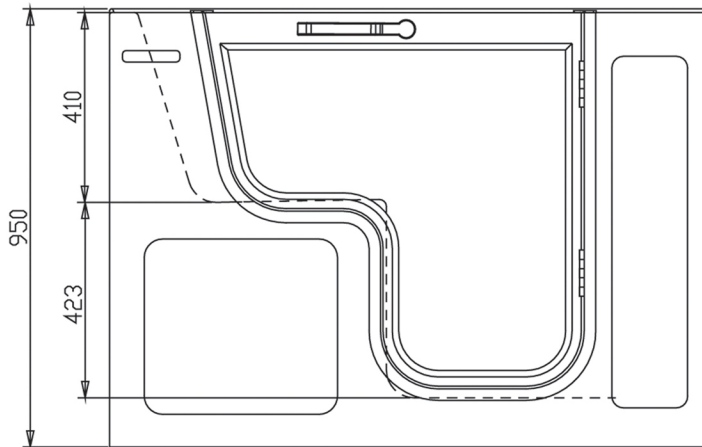
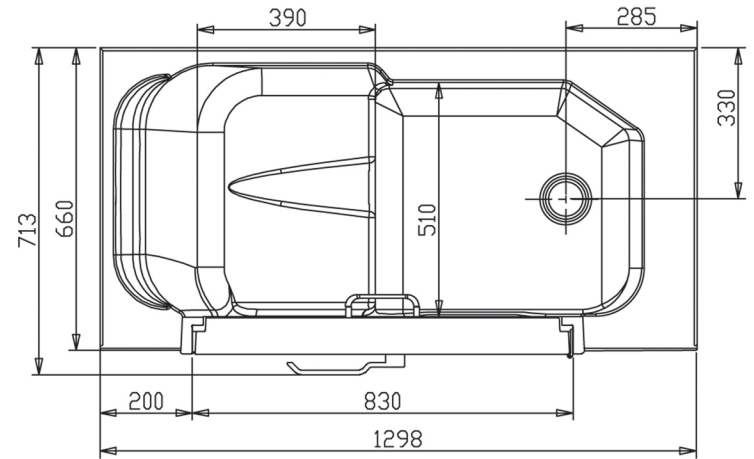
OAKHAM DIMENSIONS

Front View

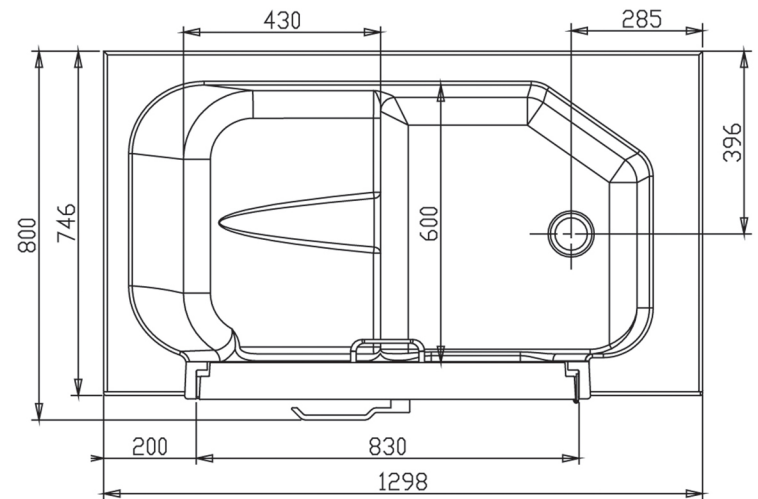


OAKHAM 66

Top View



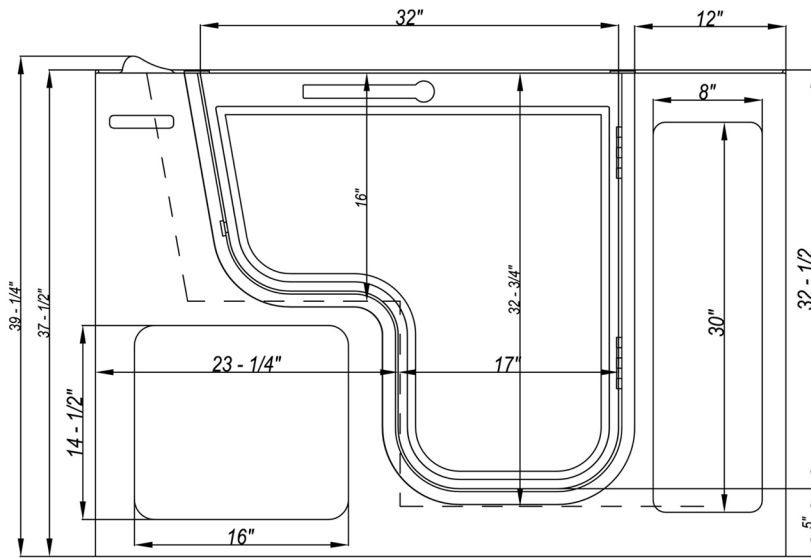
OAKHAM 75



Slight changes or differences may exist between the indicated dimensions in the drawings and pictures and the actual dimensions or product. Should an outdated or incorrect drawing or picture be used, we will not be held liable

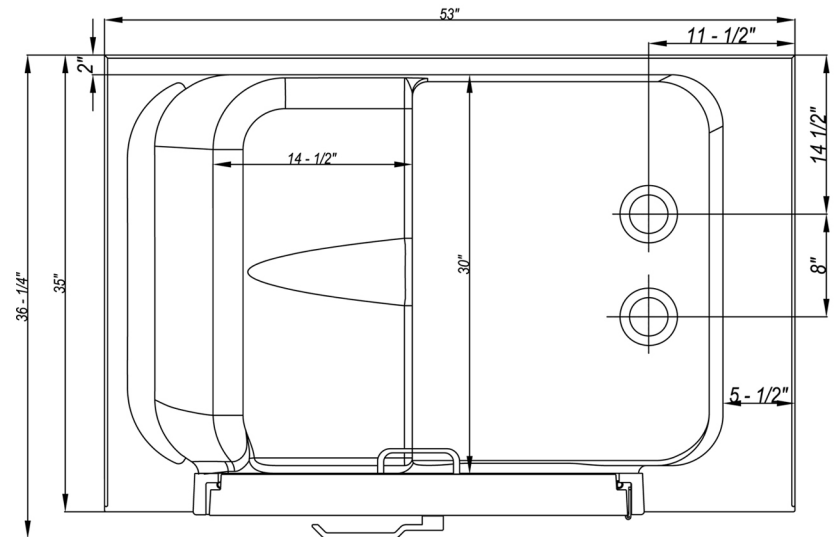
OAKHAM DIMENSIONS

Front View



OAKHAM 89

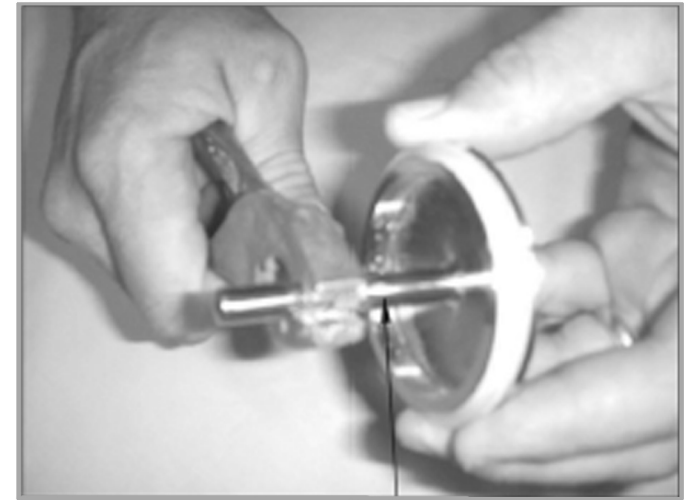
Top View



Slight changes or differences may exist between the indicated dimensions in the drawings and pictures and the actual dimensions or product. Should an outdated or incorrect drawing or picture be used, we will not be held liable

Assembly

- Step 1.** Flush all water supply lines of debris.
- Step 2.** Remove all access panels.
- Step 3.** Attach grab bar.
- Step 4.** Attach valve and handheld shower.
- Step 5.** Place unit where it is to be installed.
- Step 6.** Screw in center support legs.
- Step 7.** Level unit by adjusting (4) corner legs.
- Step 8.** Screw out center support legs.
- Step 9.** Connect drain.
- Step 10.** Connect water.
- Step 11.** Connect power.
- Step 12.** Turn on water to inspect water connections.
- Step 13.** Fill the unit with approximately 8" of water.
- Step 14.** Verify drain plunger opens and closes freely. Adjust if necessary and tighten stem lock nut (see picture).
- Step 15.** Fill the unit to top of seat level.
- Step 16.** Repeat step 15.
- Step 17.** Fill the unit with water above the jets.
- Step 18.** Repeat step 15.
- Step 19.** Energize jetting system, inspect jet connections.
- Step 20.** Drain the unit.
- Step 21.** Inspect drain connections.
- Step 22.** Install access panels if necessary.
- Step 23.** Give owner's manual and warranty registration to owner.



STEM LOCK NUT

Note:

This is the full assembly method. Walk-In Baths sold in Europe have many parts pre-assembled, such as the grab bar. Follow the assembly points as your Walk-In Bath requires.

Control Panel Operating Instructions

1. On\Off

Press to activate controls, backlit LED white light will come on; all hydrotherapy options can now be used. Selecting an option changes back light from white to blue to show the function is now active.



2. Chroma Therapy

This button activates the chroma therapy light.

1st Press - Turns on the chroma therapy for duration of 20 min.

2nd Press: Stops cycling through the colors so light stays on the selected color.

3rd Press: Turns off the chroma therapy light

When in cycling mode each color changes after 8 sec.

3. Seat Warmer

This button activates the seat warmer.

1st Press - Turns on the seat warmer for a duration of 20 min.

2nd Press: Turns off the seat warmer.

5. Water Jets

Whirlpool water jets, press to turn on, press again to turn off. Note that water level in tub must exceed sensor located above the top jets in order for whirlpool jets to activate.

6. Purge & Sterilization Functions

Once the control panel is shut off whether by the 60 minute master timer shutting off by default or by the user turning it off, the Ozone timer is set to come on 1 hr after for a duration of 15 minutes to sterilize the water plum line.

The ozonator will only turn on if the tub is empty and the sensor does not detect water.

7. Other Safety Features

Turning on the water jets on the 1st press resets the 20 minute timer for the Chroma & Seat Warmer.

There are 2 thermal switches inside each seat heat pad that shut it off should the temperature meet or exceed 113 degrees Fahrenheit (45 C).

4. Micro Bubbles

This button activates the micro bubbles.

1st Press - Turns on the micro bubbles for duration of 20 min.

2nd Press: Turns off the micro bubbles.

Troubleshooting

Troubleshooting - Micro Bubbles

Always switch off power before servicing.

Blower fails to operate:

1. Verify that electronic touch control is connected properly (refer to wiring diagram).
2. Check electric power supply Reset circuit breaker or replace fuse if necessary.
3. Check ground fault circuit interrupter. Reset if tripped.
4. If the system has been functioning for quite some time, it is possible that the thermic protection has shut off the motor. Let it cool off for at least 30 minutes before using it again.

Motor runs, but no bubbles comes through the outlet:

1. Verify that the main air hose from manifold to blower is properly connected. If necessary, reconnect and tighten clamps.

Air inlets of heads are obstructed:

1. If the air outlets of a jet head are obstructed by soap or other residues, fill tub with warm water, then switch system ON and OFF several times. The air outlets should be cleared, if this is not sufficient, carefully tap on the jet heads with the handle of a screw driver or a similar tool (plastic) while the blower is running.

Note: The water bubbles bursting on the surface heat your bath water so there is no need for this system to use an additional water heater

The drying cycle:

1. Verify with our electronic control instructions.

Troubleshooting - Water Jetting

Always switch off power before servicing.

The electronic control fails to operate:

1. Verify electric power supply Reset circuit or replace fuse if necessary.
2. Verify all electrical connections (including keypad connection).
3. Verify that the Ground Fault Circuit Interrupter (G.F.C.I.) has not tripped.
4. If the system has been functioning for quite some time, it is possible that the thermal protection has shut off the motor. It is programmed to switch off the system and to wait for at least 30 minutes before using it again. Verify that air is flowing through all jets. If not, cover the jets with warm water, then switch system ON and OFF several times. The air outlets should be cleared. If this is not sufficient, carefully knock on the jet heads with the handle of a screwdriver or similar tool (plastic), while the blower is running.

The blower or pump never stops:

1. Verify that the blower is well connected to the control box.
2. Verify the keypad connection.
3. Verify that there is no water reaching the electrical components under your bathtub.

The electronic control fails to operate:

1. Verify the keypad connection.

Control Failure Analysis Table

Fault phenomenon	Cause Analysis	Approach
The control panel does not start	A. Poor contact of control panel circuit parts	Check the wiring, if necessary, replace the control panel wiring
	B. The control panel does not work	Replace the control panel
The bubble/hydromassage system is activated, but the flow is low	A. Insufficient voltage	Check the power supply line
	B. Air pump/water pump pipeline blocked	Clean the air pump/water pump to ensure that the pipeline is unobstructed
The control panel starts, press a key, the buzzer sounds but the related system does not start to operate	A. The control panel wiring is damaged	Check the wiring, if necessary, replace the control panel wiring
	B. Poor contact or damage to electrical circuits	Check electrical appliances and wiring, if necessary, replace damaged equipment
Press the pneumatic switch, but the related electrical appliances are not activated	A. Pneumatic switch failure	Replace pneumatic switch
	B. Damaged clear connecting tube of pneumatic switch	Replace pneumatic switch clear connection tube
	C. Related electrical failure	Check the electrical box circuit, if necessary, please replace the damaged equipment

Drainage failure analysis table

Fault phenomenon	Cause Analysis	Approach
Drain leaking	A. The drain top gasket has slipped off	Check the top drain gasket, if necessary, please replace the gasket rubber ring
	B. The top gasket rubber ring is damaged	Replace the top gasket rubber ring
Twist the drain knob, but the water sealing cover does not raise/lower accordingly	A. Plunger head height is too high	Twist the stem nut on the lifting column to the desired height
	B. Foreign objects in the lower body of the drain, not letting the plunger seal correctly.	Clean the lower body of the drain, removing and foreign objects
	C. Complete Drain Failure	Replace the drain

Faucet failure analysis table

Fault phenomenon	Cause Analysis	Approach
Turn the faucet on, no water flows or very little water flows.	A. Mains inlet pipe, or outlet pipe is clogged	Unscrew the pipes, check that they are clear
	B. Faucet Mixer or Knobs are broken	Replace appropriate faucet parts
Shower Hose Blockage	A. Foreign debris in the showerhead	Look inside, remove foreign debris

Door Alignment Issue

Fault phenomenon	Cause Analysis	Approach
The gap between the jamb and the door is non-uniform	A. A slight change in the products shape due to being in transit as changed the alignment.	The door is attached via 6 screws in the hinges, remove the screws using a 5mm Allen (Hex) key. Add or Removes 8mm washers in between the hinges to Re-Align the door.